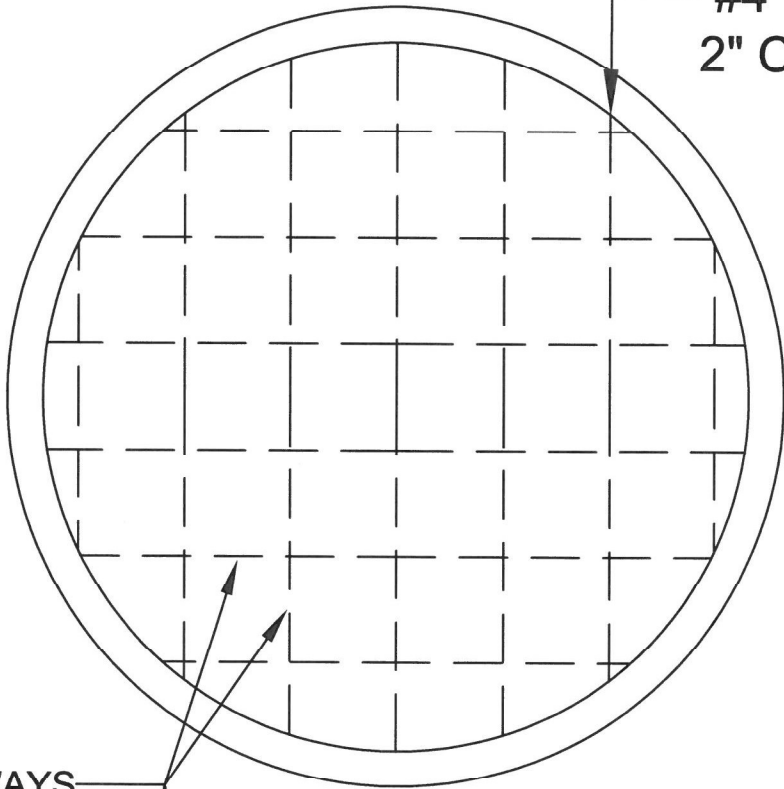
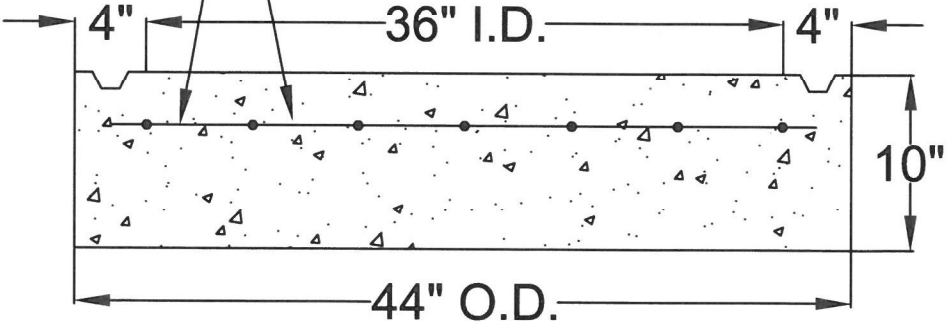


#4 HOOP
2" CLEAR



#4 REBAR 6" CL BOTH WAYS
4000 MINIMUM P.S.I.
CONCRETE 28 DAYS



JOB NAME:

MANUFACTURED BY
SOUTHWEST CONCRETE PRODUCTS

DESCRIPTION: 36" I.D. X 10" CONCRETE BASE (44" O.D.)

DRAWING: #SCPCB

DATE: