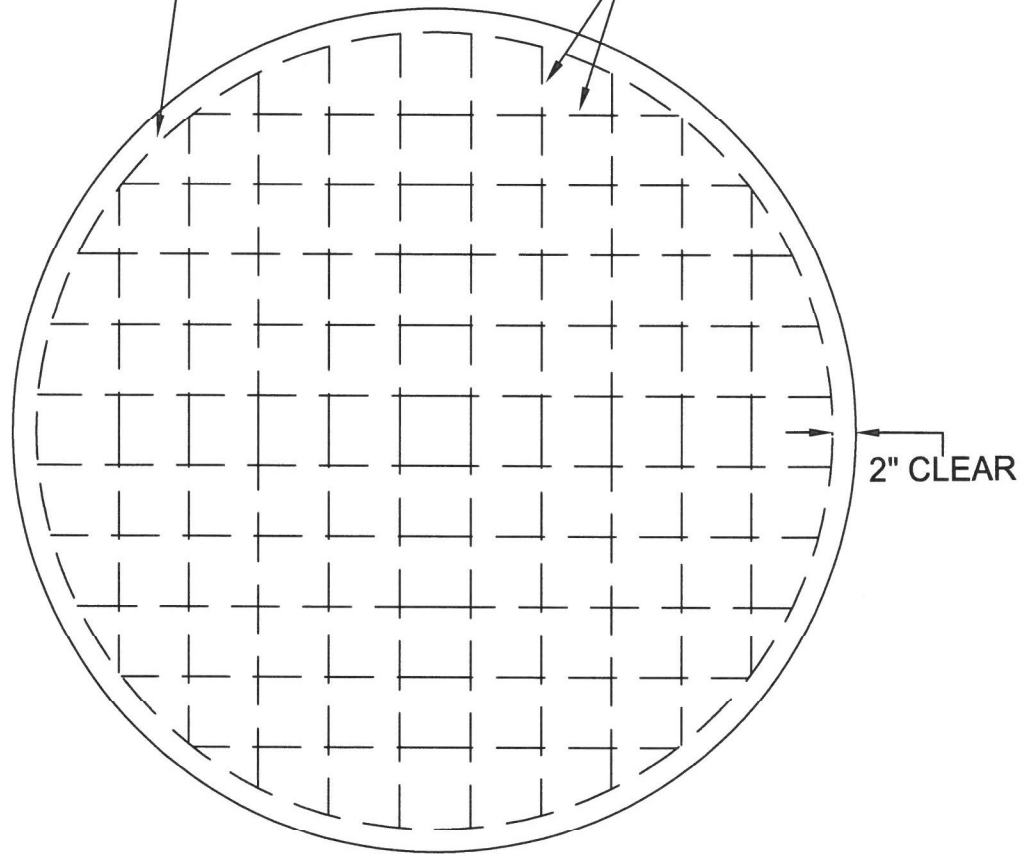


#4 REBAR HOOP

#5 REBAR @ 6" OC



2" CLEAR

REINFORCEMENT MEETS OR EXCEEDS ASTM C-478
 CONCRETE MIX DESIGN 4,000 P.S.I. @ 28 DAYS
 TYPE II/IV PORTLAND CEMENT

JOB NAME:

MANUFACTURED BY
SOUTHWEST CONCRETE PRODUCTS

DESCRIPTION: 60" I.D. X 12" CONCRETE BASE (72" O.D.)

DRAWING: #SCPCB

DATE: