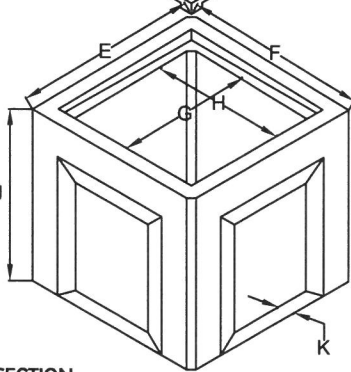


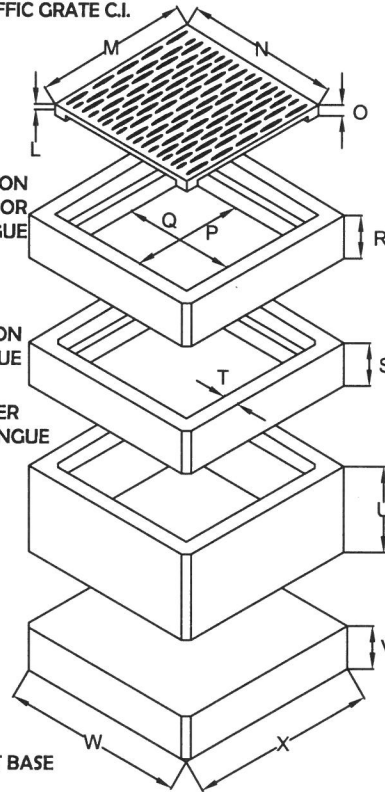
TRAFFIC GRATE C.I.



BASE SECTION WITH KNOCKOUTS



NON TRAFFIC GRATE C.I.



	12" X 12"	18" X 18"	24" X 24"
A	15 1/4"	21 1/2"	26 1/4"
B	1 1/2"	1 1/2"	2"
C	15 1/4"	21 1/2"	26 1/4"
D	1 1/4"	1 1/4"	1 7/8"
E	20"	26"	32"
F	20"	26"	32"
G	12"	18"	24"
H	12"	18"	24"
I	24"	24"	24"
J	18"	18"	18"
K	2"	2"	2"
L	3/4"	7/8"	1"
M	15 1/4"	21 1/2"	26 1/4"
N	15 1/4"	21 1/2"	26 1/4"
O	1 1/2"	1 1/2"	2"
P	12"	18"	24"
Q	12"	18"	24"
R	6"	6"	6"
S	6"	6"	6"
T	2 1/4"	2 7/8"	2 3/4"
U	12"	12"	12"
V	6"	6"	6"
W	20"	26"	32"
X	20"	26"	32"

JOB NAME:

MANUFACTURED BY
SOUTHWEST CONCRETE PRODUCTS

DESCRIPTION: CATCH BASINS

DRAWING: #SCPCB

DATE: